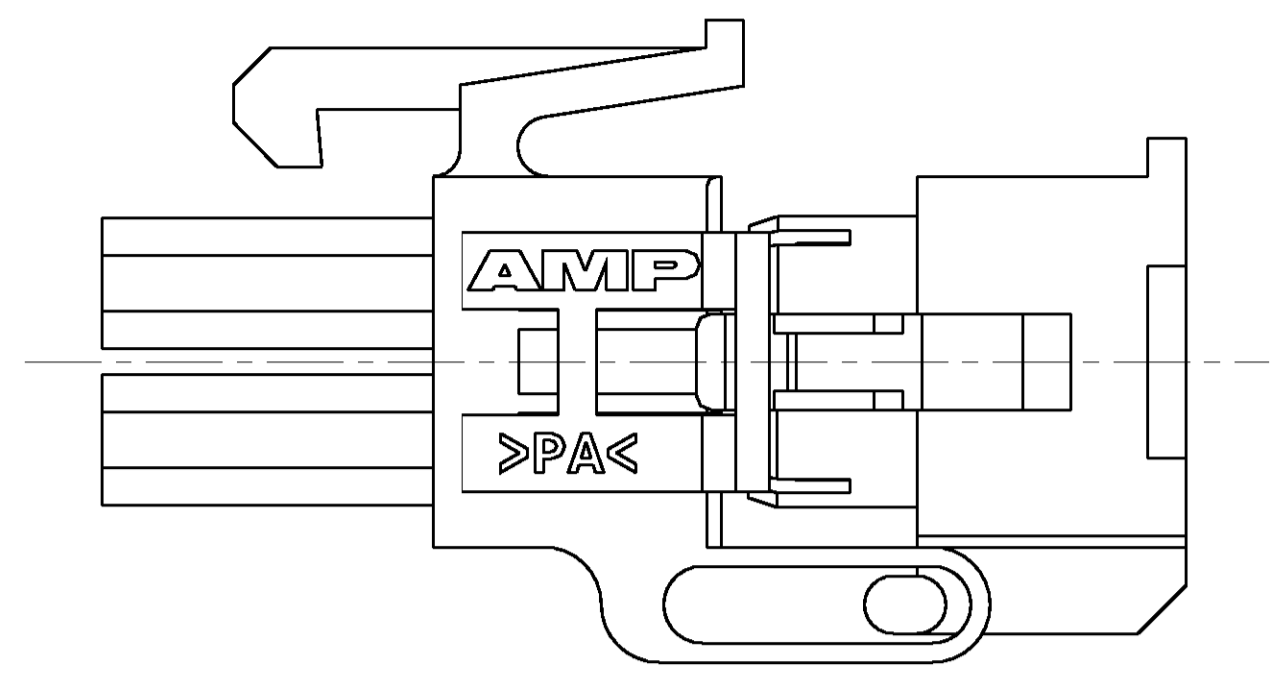
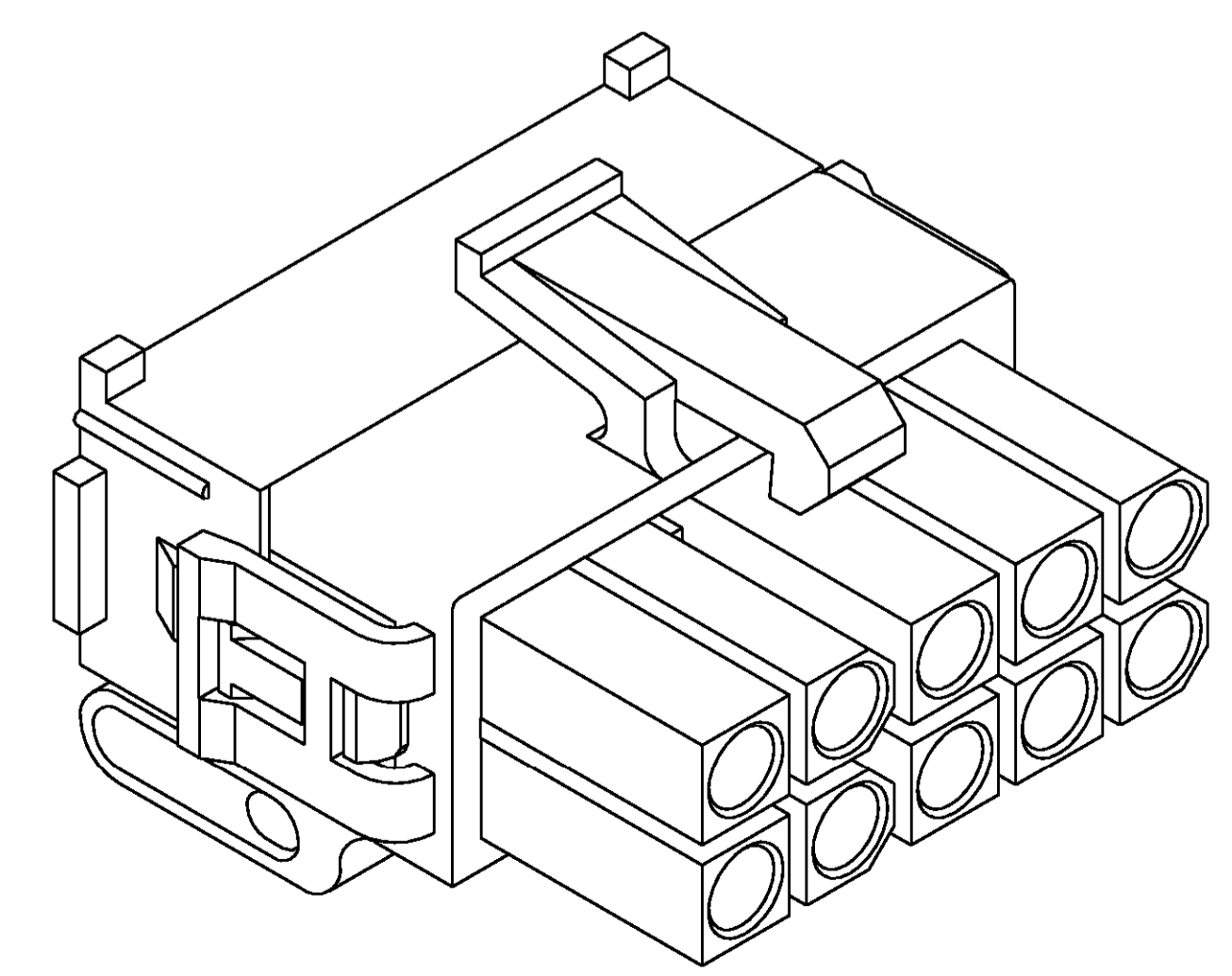
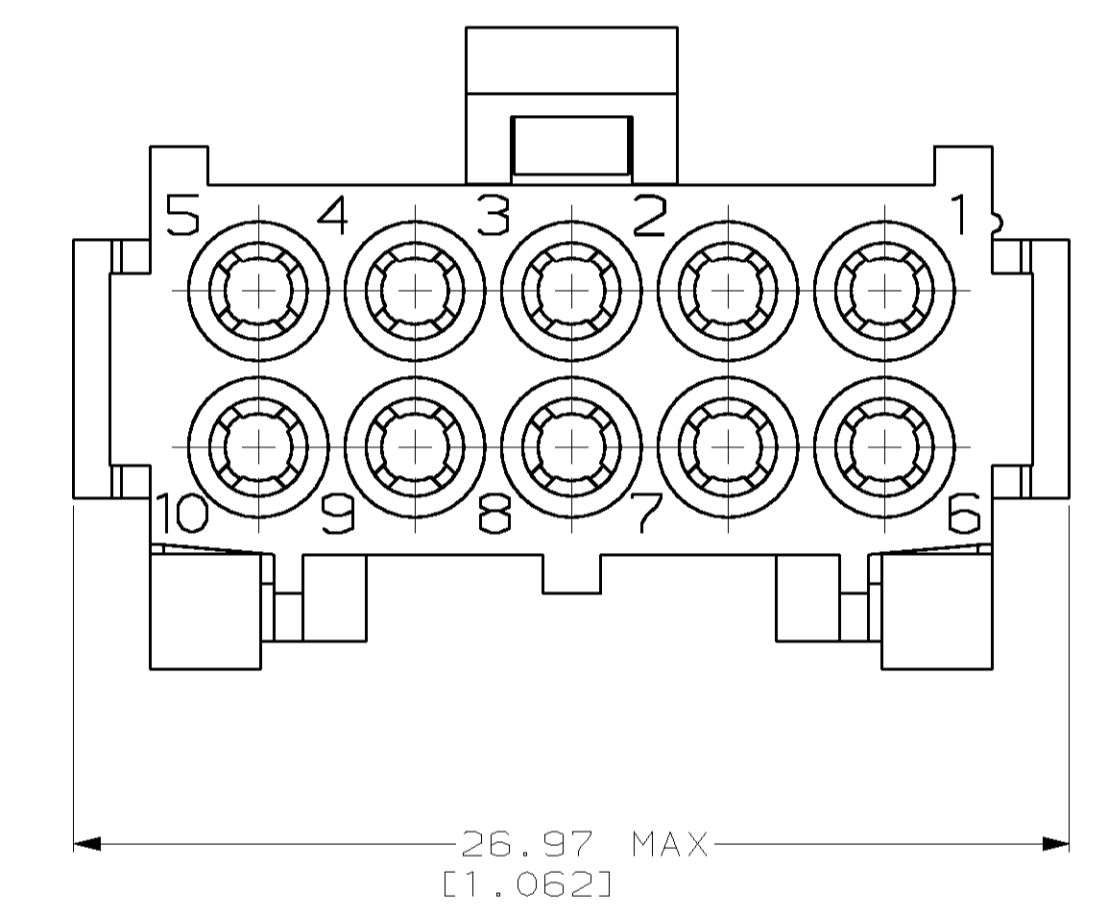
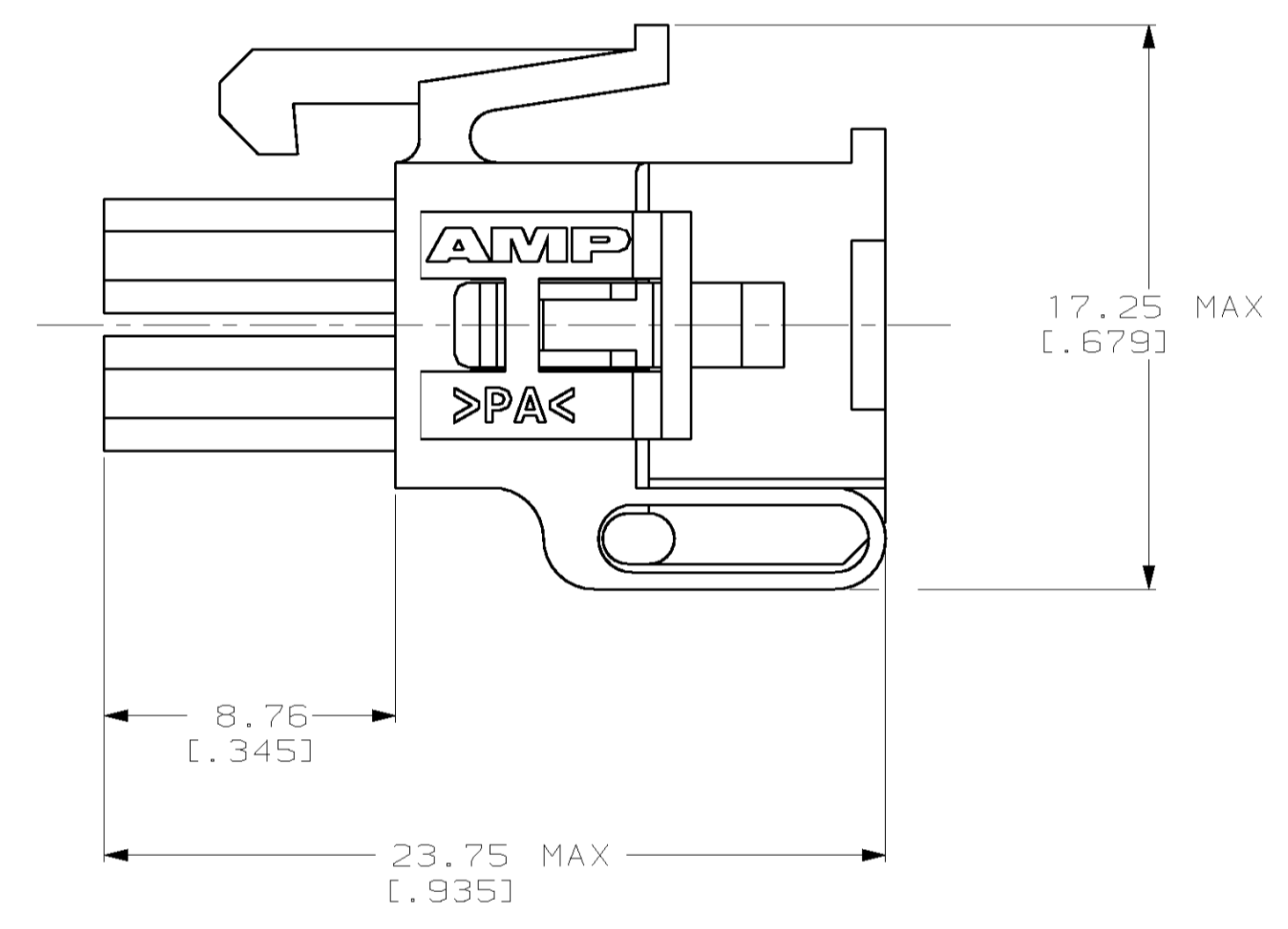
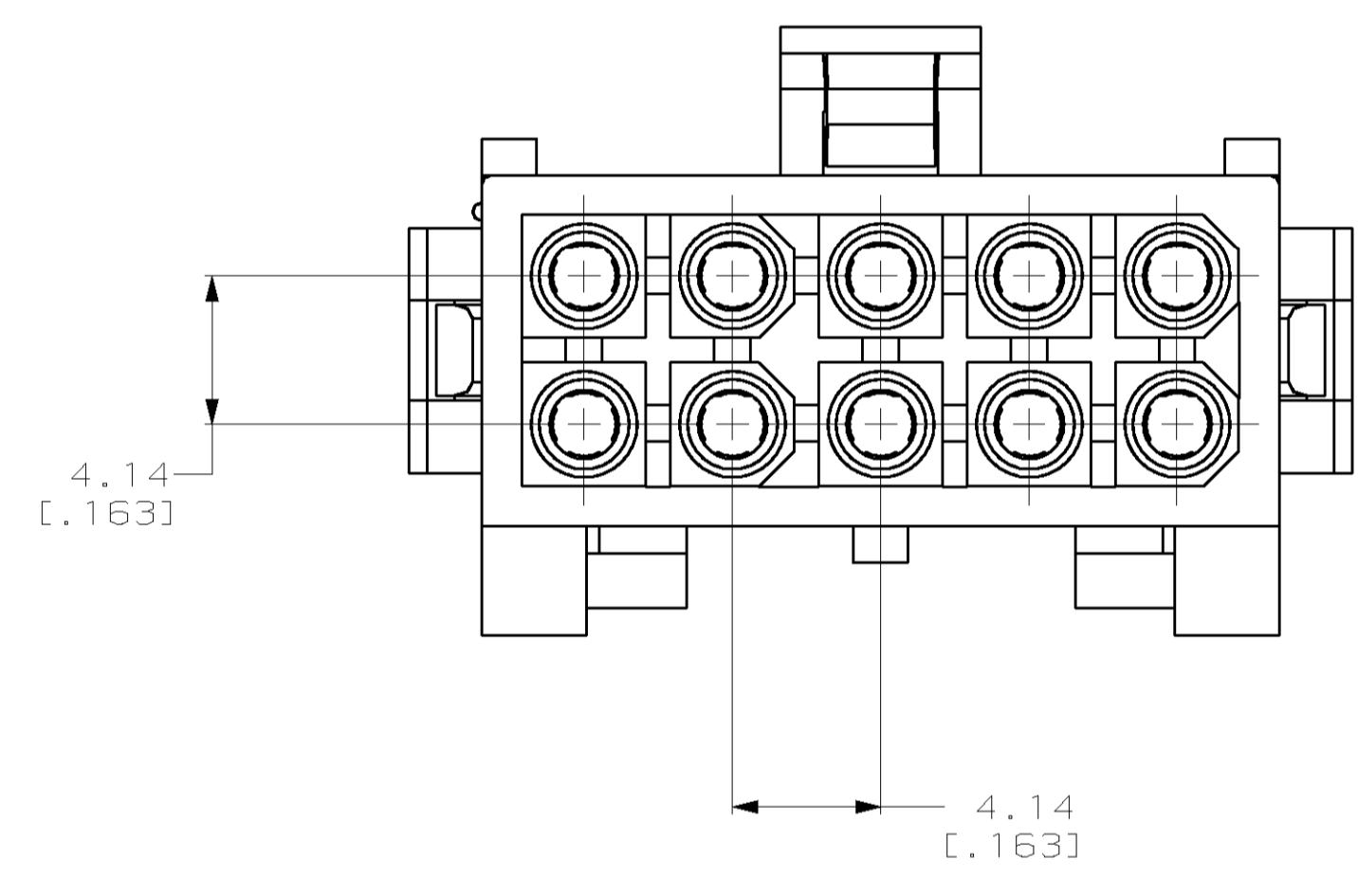


LOC	DIST	REVISIONS			
F	CHR	DESCRIPTION	DATE	ENR	APVD
B		REV PER EC 061B-0094-99	23-SEP-99	KW	KC



PRE-STAGED CONDITION

1. DIMENSIONS IN BRACKETS ARE IN INCHES.



3-DIMENSIONAL MODEL
NTS

794249-1
PART NUMBER



THIS DRAWING IS A CONTROLLED DOCUMENT.		DWN K. WHITAKER	5-14-97	AMP AMP Incorporated Harrisburg, PA 17105-3608
		CHK R. SWING	5-14-97	
DIMENSIONS:		APVD S. ORSTAD	5-14-97	NAME PLUG, 10 CIRCUIT, MINI UNIVERSAL MATE-N-LOK™ 2
TOLERANCES UNLESS OTHERWISE SPECIFIED:		PRODUCT SPEC		APPLICATION SPEC
mm	0 PLC ±	APPLICATION SPEC		SIZE CAGE CODE DRAWING NO
	1 PLC ±	APPLICATION SPEC		A1 00779 C-794249
	2 PLC ±	APPLICATION SPEC		RESTRICTED TO
	3 PLC ±0.13 (.005)	APPLICATION SPEC		
	4 PLC ±	APPLICATION SPEC		
	ANGLES ±	APPLICATION SPEC		
MATERIAL NYLON, UL 94V-2,NATURAL	FINISH -	WEIGHT -	CUSTOMER DRAWING	SCALE 5:1 SHEET 1 OF 1 REV B